

RC3402HD-IR



H.264 Full HD Indoor Compact IR Dome IP Camera

- Full HD1080p @ 30fps
- Video Compression: H.264, MJPEG
- True Day/Night Switching and WDR
- Remote zoom and focus*
- Built-in IR illuminator with Smart IR adjustment
- MicroSD/SDHC Memory Card Slot
- ONVIF Support, PoE (IEEE 802.3af)
- Embedded VCA Technology Video Analytics
- Burnt-in Text, Video Motion Detection



Specifications

CAMERA	
Model	RC3402HD-6211IR: Fixed focal lens RC3402HD-6311IR: Motorized Focus/ Zoom lens
Image Sensor	SONY EXMOR 1/2.9" 1080p CMOS
Effective Pixels	1920 x 1080
Scanning System	Progressive scanning
AGC Control	Auto, adjustable amplification level
Auto IRIS (DC)	-6211IR: Not supported -6311IR: Supported
Minimum Illumination	Color: 1.0lux, F2.0 - B/W: 0.00lux (IR LED On)
Lens	-6211IR: 4.3mm, F2.0 -6311IR: 3.0 – 9.0mm Vari-Focal, F1.2-360, DC Auto Iris, Motorized Focus & Zoom Control – One Click Focus Function
Angle of View	RC3402HD-6211IR: Horizontal: Approx. 74.4°; Vertical: Approx. 40.8° RC3402HD-6311IR: Horizontal: Approx. 110.8°(Wide) to 35.5°(Tele) Vertical: Approx. 57.7°(Wide) to 19.9°(Tele)
Shutter Time	1/10000s to 1/2s
Shutter Exposure Modes	Automatic - with configurable min. shutter speed Manual - with configurable fixed shutter speed Flicker-Control – 50Hz / 60Hz
Day & Night	Digital software related Day & Night switching
Image Settings	Configurable brightness, contrast, saturation, sharpness, vertical flip & horizontal mirror function
2D-DNR	Configurable digital noise reduction 1 ~ 16
Wide Dynamic Range	Up to 100dB Dynamic Range with activated WDR
Exposure Adjustment	+1.0, +0.6, +0.3, 0, -0.3, -0.6, -1.0 EV
White Balance	ATW1 / ATW2 / Push / Manual
DSS (Sens-up)	Configurable digital slow shutter 2X ~ 16X
Backlight Compensation	BLC On/Off (possible to designate zone)
IR ILLUMINATOR	
IR LED	-6211IR: High Power IR LED x 10 (850nm) -6311IR: High Power IR LED x 14 (850nm)
IR Working Distance	-6211IR: 15m (30IRE) -6311IR: 20m (30IRE)
SMART IR	Automatically adjust the infrared light to the best, according to the brightness of the scene

VIDEO	
Video Compression	H.264 Baseline, Main, High profile (MPEG-4 Part 10/ AVC), MJPEG (Motion JPEG)
Video Streaming	Dual Stream, Independent Configurable H.264: Controllable frame rate and image resolution, video stream bandwidth limitation (VBR/CBR) MJPEG: Controllable frame rate and image resolution, JPEG quality
Resolutions	1920x1080, 1280x720, 1120x630, 960x540, 800x450, 640x360, 480x270, 320x180
Frame Rate	H.264: Configurable up to max 30fps in all resolution** MJPEG: Configurable up to max 30fps in all resolution**
Motion Detection	Max. 8 zones with independent configuration of detection sensitivity and target object size
Burnt-in Text	Time / Date / Name (Name up to 48 characters) flexible display position configuration
Privacy Mask Zones	4 flexible configurable regions
NETWORK	
Ethernet Standard	10 / 100 Base-T
Protocol	QoS Layer 3 DiffServ, TCP/IP, UDP/IP, HTTP, RTSP, RTCP, RTP/UDP, RTP/TCP, mDNS, UPnP™, SMTP, DHCP, DNS, DynDNS, NTP, SNMPv1/v2c/v3(MIB-II), IGMP, ICMP, SSLv2/v3, TLSv1
Users Connection	Live viewing for up to 10 clients
Security	Multi-level access with password protection
GENERAL	
Edge Storage	1x Mirco SD/SDHC card slot (card not included) (Recommend Class 6 and higher for HD recording)
Application Programming Interface	Software Development Kit (SDK) available ONVIF compliant (release V1.4.0.x or higher)
ONVIF	Version: 2.02 (Support Profile S)
Approvals	FCC, CE, KC, RoHS
ELECTRICAL	
Power Source	DC 12V / PoE (IEEE 802.3af)
Power Consumption	-6211IR: Max. 5 W @ DC 12V -6311IR: Max. 7W @ DC 12V
ENVIROMENT	
Operation Temperature	PoE / DC12V: 0°C ~ 40°C (32°F ~ 104°F)
Operating Humidity	Up to 85% RH, Non-condensing

RC3402HD-IR

MECHANICAL	
Material	Plastic (ABS)
Color	White
Dimension	Housing: 148 (Φ) x 100 (H) mm, Dome: 100 (Φ) mm
Weight (Approx)	RC3402HD-6211IR: 430g (0.95 lbs) RC3402HD-6311IR: 470g (1.04 lbs)
VIDEO CONTENT ANALYSIS (Included as Standard)	
High Performance	Advanced tracking algorithm and low false alarm rate
Easy to Use	Intuitive web browser interface via activeX plug-in in IE browser
Detection Zones and Rules	Up to 40 zones (multi-segment polygons and lines) 60 VCA filter rules in total
On-screen Display	Real-time display of tracking data and events via activeX plug-in in IE browser
Burnt in Annotation	Allows the VCA annotation to be burnt into the raw video stream for displaying on third party application
Tamper Detection	Recognize camera tampering via VCA detection (defocusing, lens covering, camera moving)
Event Actions	Notification service via TCP/IP, HTTP, multicast or email text messages with snapshot, DO-contact, file upload on external FTP server, local SD memory card recording

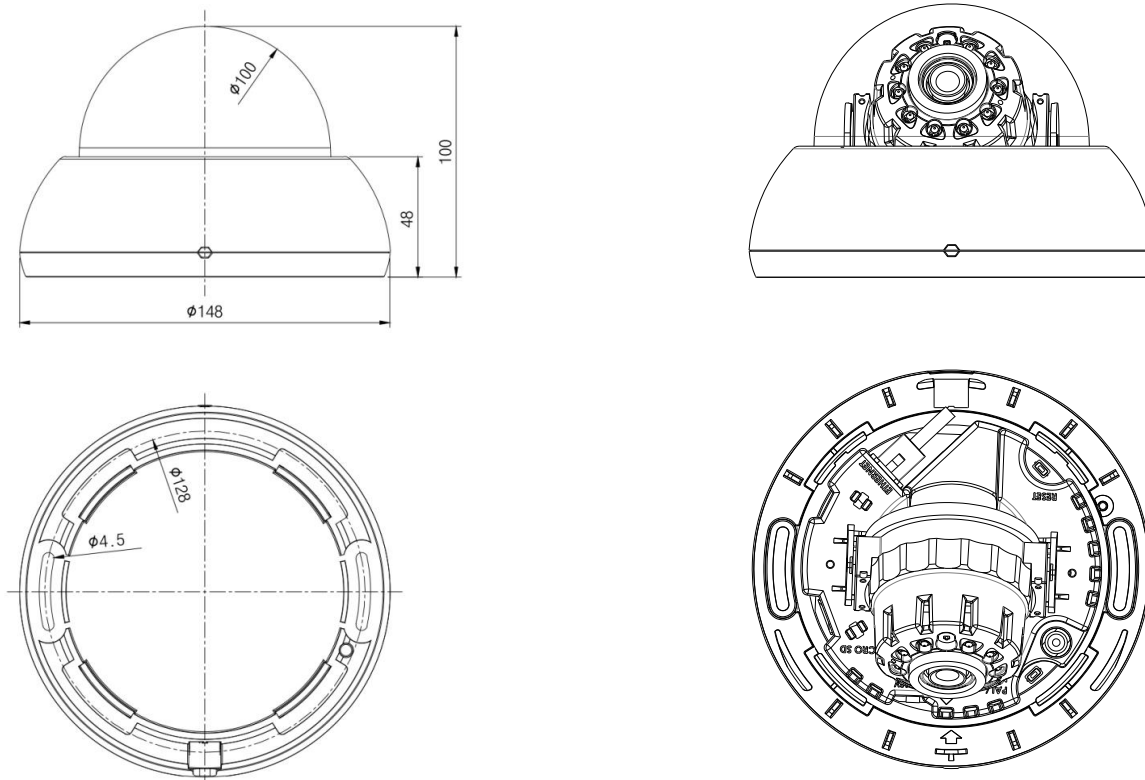
VIDEO CONTENT ANALYSIS (Option extension License)	
Available License	VCAdetectIP, VCAcountIP, VCAaccessIP, VCAsurveillancelP, VCAadvancedIP
VCA Detection Filters	Enter, Exit, Appear, Disappear, Stop, Direction, Dwell, Speed, Tailgating, Object Classification,
VCA Features	<ul style="list-style-type: none"> - Up to 20 Onscreen Counter Displays - Counting-Line for accuracy people and vehicle counting with local database and reporting service - VCA Event Metadata Streaming (RTSP/RTP) - VCA calibration via 3D tools for right object size detection - Object classification allow to design different Object classes to include or exclude in VCA detection rule
Info VCA	Details regarding supported VCA filters and features of the different extension licenses find on 'Filter Matrix VCA License' document

*Only available with RC3402HD-6311IR

**If VCA is activated, frame rate is limit to max15fps@1080p. Limitations are based on V.1.6.0 firmware release and could be changed without notice.

Dimension

(Unit: mm)

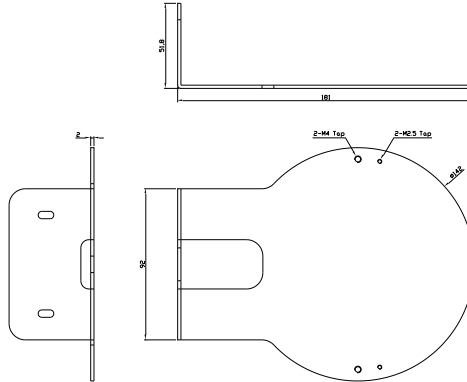


Accessories

Wall Mount Bracket

Model: WMB-3400

Weight: 347g



Ceiling Mount Bracket

Model: CMB-3400

Weight: 574g

